

Endurance Bus

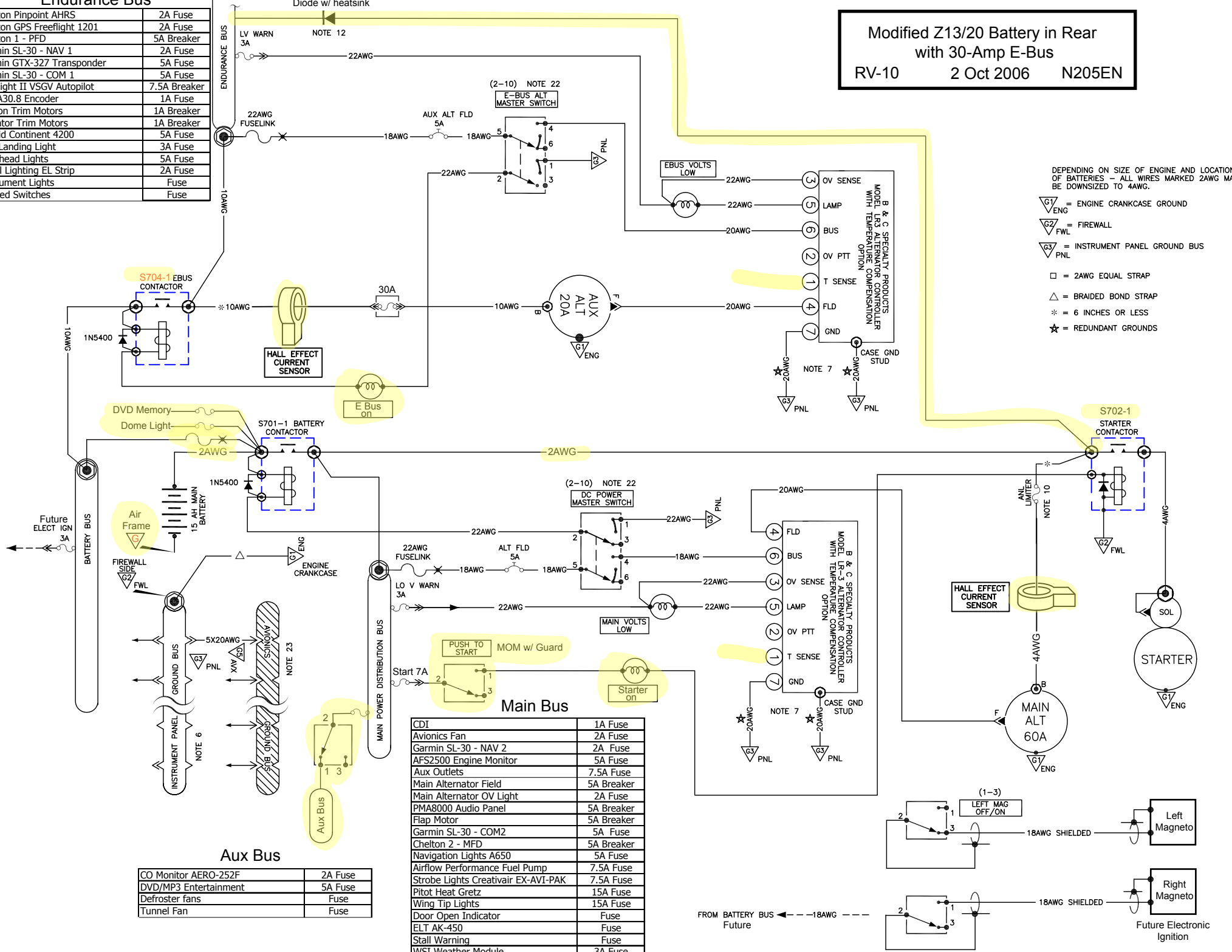
Chelton Pinpoint AHR5	2A Fuse
Chelton GPS Freeflight 1201	2A Fuse
Chelton 1 - PFD	5A Breaker
Garmin SL-30 - NAV 1	2A Fuse
Garmin GTX-327 Transponder	5A Fuse
Garmin SL-30 - COM 1	5A Fuse
Digiflight II VSGV Autopilot	7.5A Breaker
Ack A30.8 Encoder	1A Fuse
Aileron Trim Motors	1A Breaker
Elevator Trim Motors	1A Breaker
AI Mid Continent 4200	5A Fuse
HID Landing Light	3A Fuse
Overhead Lights	5A Fuse
Panel Lighting EL Strip	2A Fuse
Instrument Lights	Fuse
Lighted Switches	Fuse

PowerShotty Diode w/ heatsink

Modified Z13/20 Battery in Rear
with 30-Amp E-Bus
RV-10 2 Oct 2006 N205EN

DEPENDENT ON SIZE OF ENGINE AND LOCATION OF BATTERIES - ALL WIRES MARKED 2AWG MAY BE DOWNSIZED TO 4AWG.

- △ G1 = ENGINE CRANKCASE GROUND
- △ G2 = FIREWALL
- △ G3 = INSTRUMENT PANEL GROUND BUS PNL
- = 2AWG EQUAL STRAP
- △ = BRAIDED BOND STRAP
- * = 6 INCHES OR LESS
- ★ = REDUNDANT GROUNDS

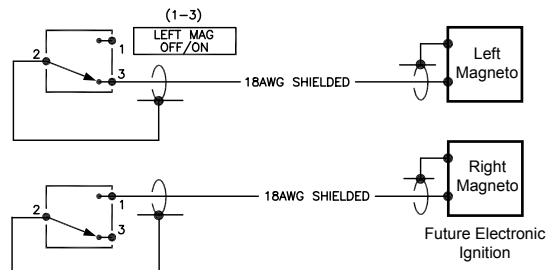


Main Bus

CDI	1A Fuse
Avionics Fan	2A Fuse
Garmin SL-30 - NAV 2	2A Fuse
AFS2500 Engine Monitor	5A Fuse
Aux Outlets	7.5A Fuse
Main Alternator Field	5A Breaker
Main Alternator OV Light	2A Fuse
PMA8000 Audio Panel	5A Breaker
Flap Motor	5A Breaker
Garmin SL-30 - COM2	5A Fuse
Chelton 2 - MFD	5A Breaker
Navigation Lights A650	5A Fuse
Airflow Performance Fuel Pump	7.5A Fuse
Strobe Lights Creativair EX-AVI-PAK	7.5A Fuse
Pitot Heat Gretz	15A Fuse
Wing Tip Lights	15A Fuse
Door Open Indicator	Fuse
ELT AK-450	Fuse
Stall Warning	Fuse
WSI Weather Module	3A Fuse

Aux Bus

CO Monitor AERO-252F	2A Fuse
DVD/MP3 Entertainment	5A Fuse
Defroster fans	Fuse
Tunnel Fan	Fuse



FROM BATTERY BUS ← 18AWG Future